

Capiphon USA

The ECO Drain

Capillary Siphon
Belt Drain

2017 Specifications

Description

Capiphon - The Eco Drain, is a flexible drainage collection belt manufactured from composite PVC materials. It works as a siphon based french drain to remove groundwater from saturated soils. The drainage belt itself is grooved with omega shaped openings on one side and smooth on the other. The grooved side is installed facing down and ground water is attracted up and into the groove openings by capillary attraction. Once in the groove openings, ground water is moved by siphon pressure into a collection pipe for drainage outside the affected area.

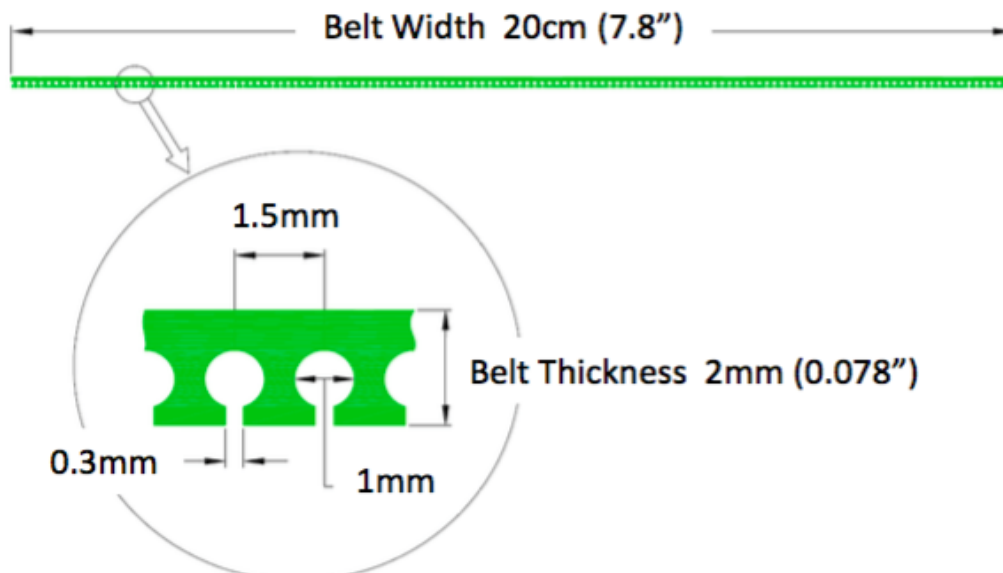
Typical Uses

- Sub-Turf Installations
- Hydrostatic Pressure Solutions
- Seepage & Sinking Issues
- Agricultural Drainage & Water Mgmt
- Anti-Erosion
- Water Retention Strategies
- Roof Top Drainage & Waterproofing
- And So Much More...

Advantage Over Conventional Drains

- Virtually Crush Proof
- Drains Water Longer, Faster & Cleaner.
- Non-Clogging, Long Working Life (proven 25+ years)
- Flexible - Will fit any construction location.
- Easy Assembly & Installation.
- Easy Handling - lower storage/transportation costs.
- Can Be Fitted to Existing Drainage Systems.
- Recycling / Natural Water Filtration.

Cross Section of Capiphon Belt



CAIPHON SPECIFICATIONS

Dimensions

Product	Product Dimensions	Dimensions per box	Weight per box	Length per full pallet	Weight per pallet
Capiphon Drain Belt CGPC-PVC SO-30X 1 Roll: 328ft / 100m	328' x 7.8" x 0.78"	22" x 22" x 9.06"	78.4 lbs	7872ft	1928lbs
	100m x 20cm x 0.2cm DIN 53370	56cm x 56cm x 23cm	35.6 kg	2400m	874.4kg
Capiphon Drain Belt CGPC-PVC SO-30X 1 Roll: 164ft / 50m	164' x 7.8" x 0.78"	15.35" x 15.35" x 9.06"	44lbs	8856ft	2425lbs
	100m x 20cm x 0.2cm DIN 53370	39cm x 39cm x 23cm	20kg	2700m	1100kg
Capiphon Drain Pipe CGPC-PVC SO-30X 20 lengths: 3.28ft / 1m pipe	3.28' x 2.48" x 2.48"	41.34" x 21.65" x 7.87"	37.5lbs	918ft	525lbs
	1m x 6.37cm x 6.37cm DIN 53370	105cm x 55cm x 20cm (gunny bag not box)	17kg	280m	238kg

Physical Properties

Item	Data	Standards / Info
Constant Flow Rate	1 Gal/min (4 L/min) +/- 10%	While water is present for 25+ years
Effective Water Inlet Opening Ration	> 20%	1-6% for standard pipes
Water Clarification		
Construction Material	Flexible Polyvinyl Chloride	CGPC-PVC SO-30X
Durometer Hardness (Shore A)	95	ASTM 2240
Tensile Strength	3,129 psi (2.22kg/mm)	ASTM D 638
Elongation at Break	289%	ASTM D 638
Compressive Strength (20% compression)	> 9,190 psf	
Compressive Strength (40% compression)	> 435 psi > 3 N/mm ²	DIN 53454
Shearing Strength (Longitudinal / Transversal)	> 4351 / 2176 psi > 30 / 15 N/mm ²	DIN 53363

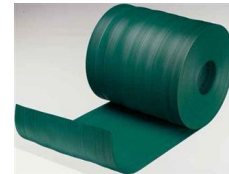
Worldwide Patented: USA, Canada, EU, China, Taiwan, HongKong.

US Patent No.: 5,934,828.

Better for Storage, Transportation and Installation



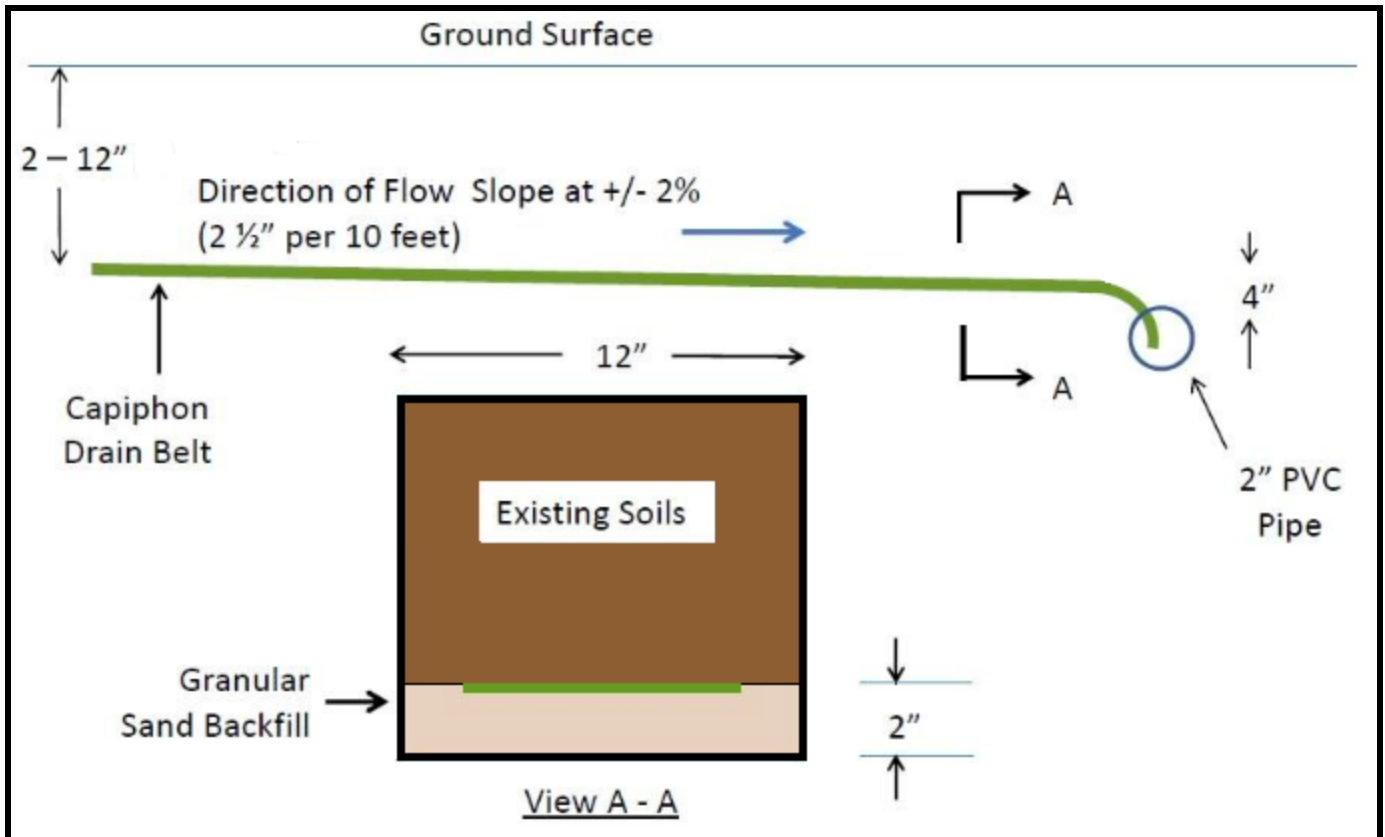
ADS 4-in x 100-ft Corrugated Pipe
1 Pallet = 300 ft.



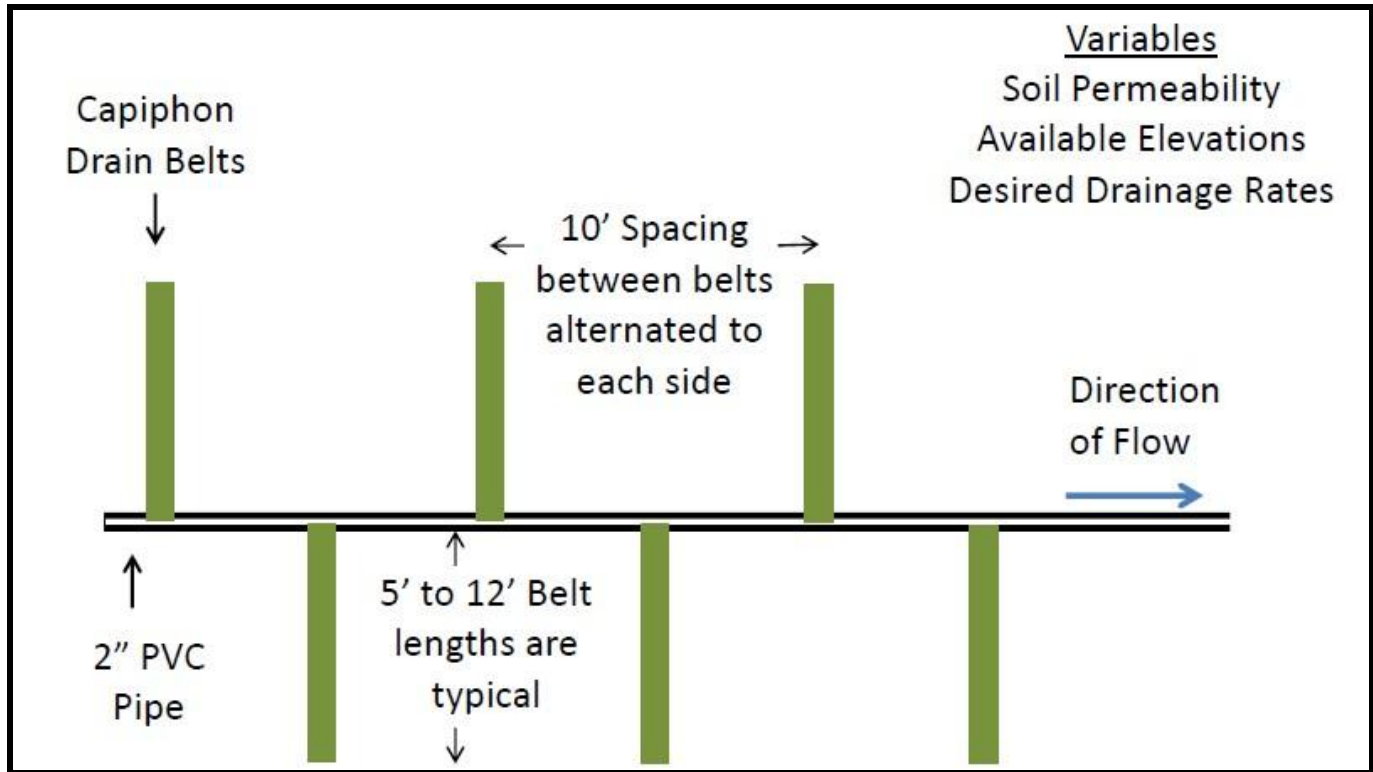
164 Feet of Capiphon Drain
1 Pallet = 8856 ft.

TYPICAL CAPIPHON INSTALLATIONS

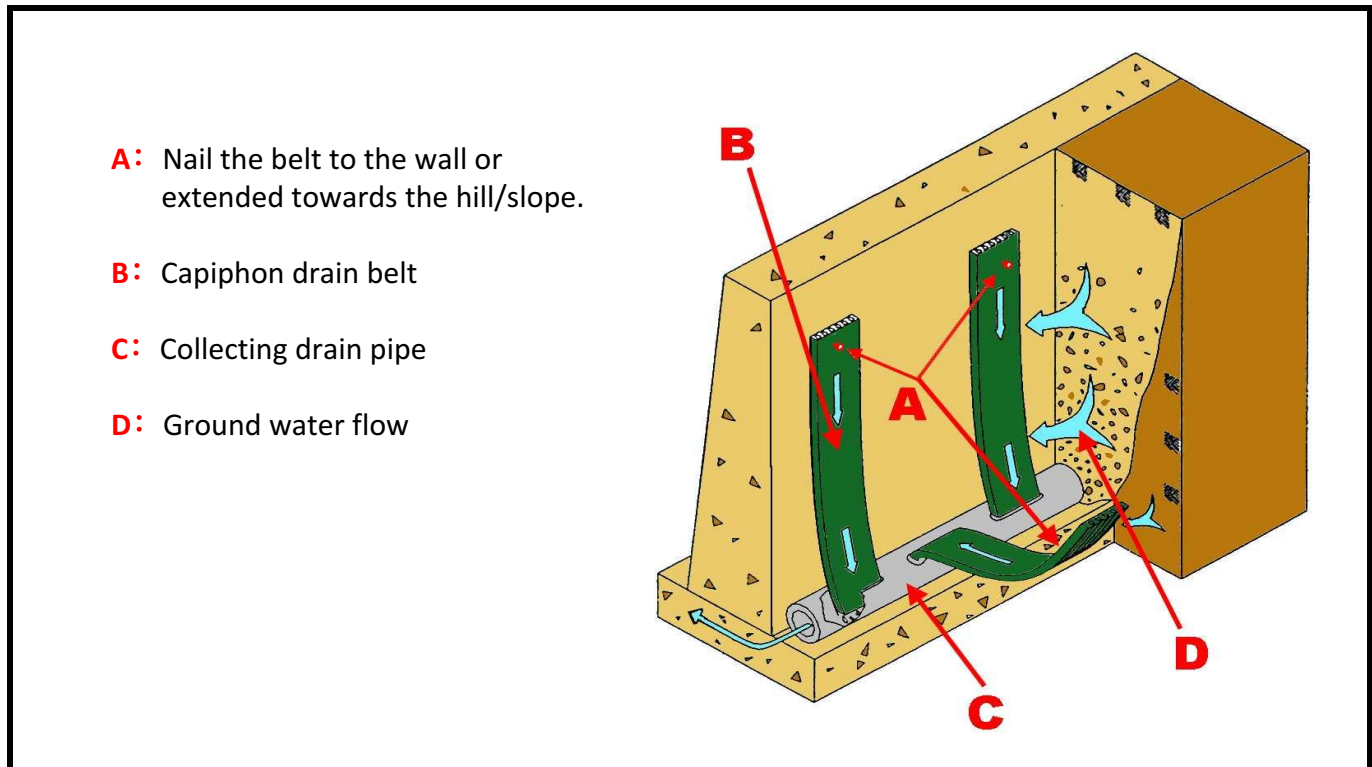
Ideal Horizontal Installation



Top View of Ideal Horizontal Install



Ideal Vertical / Retaining Wall Installation



Capiphon USA, LLC. - A Veteran Owned Small Business

4187 Blue Heron Ridge,
Mobile, AL 36693

Ph: (251) 273-6968
Fax: (251) 273-6968

info@capiphonusa.com
www.capiphonusa.com